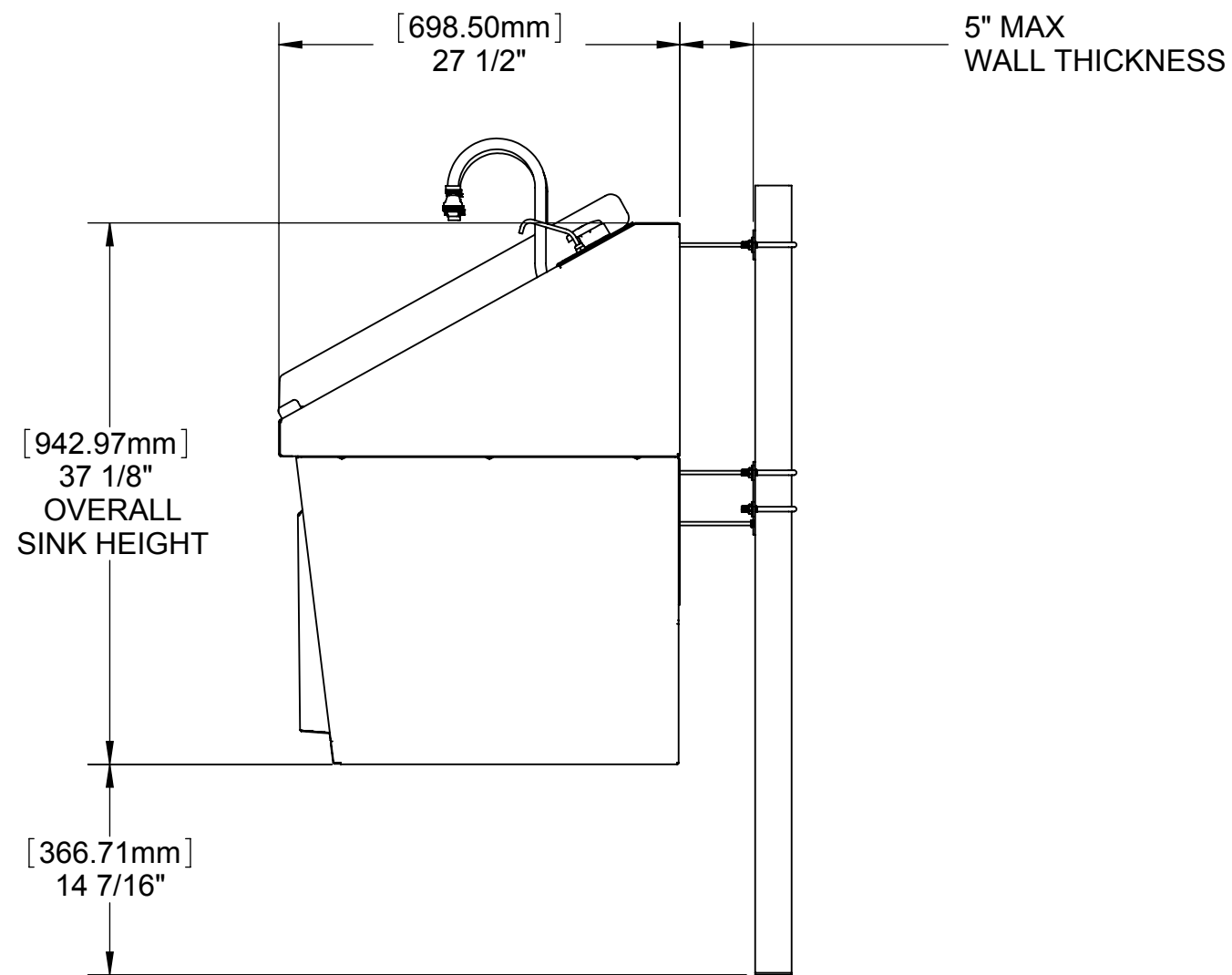
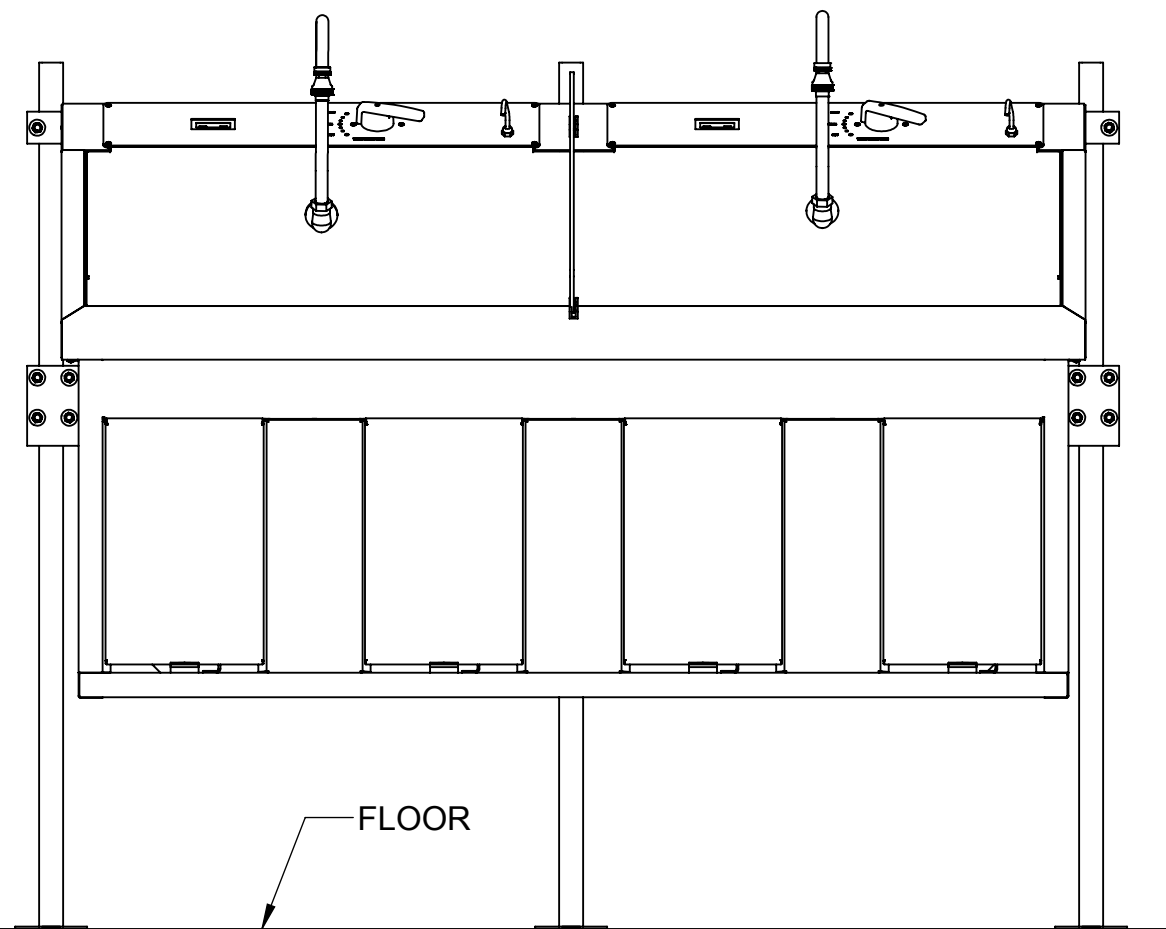
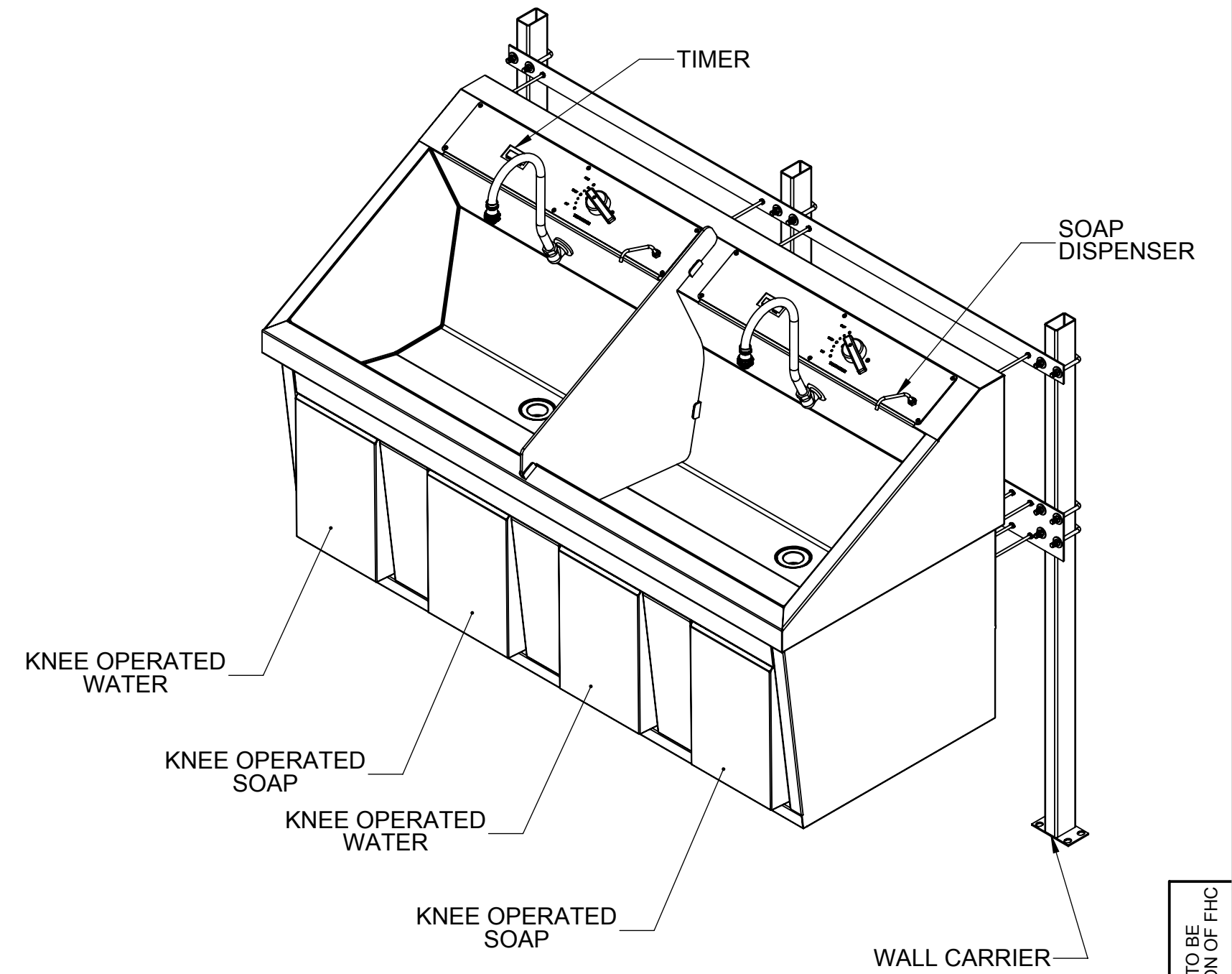
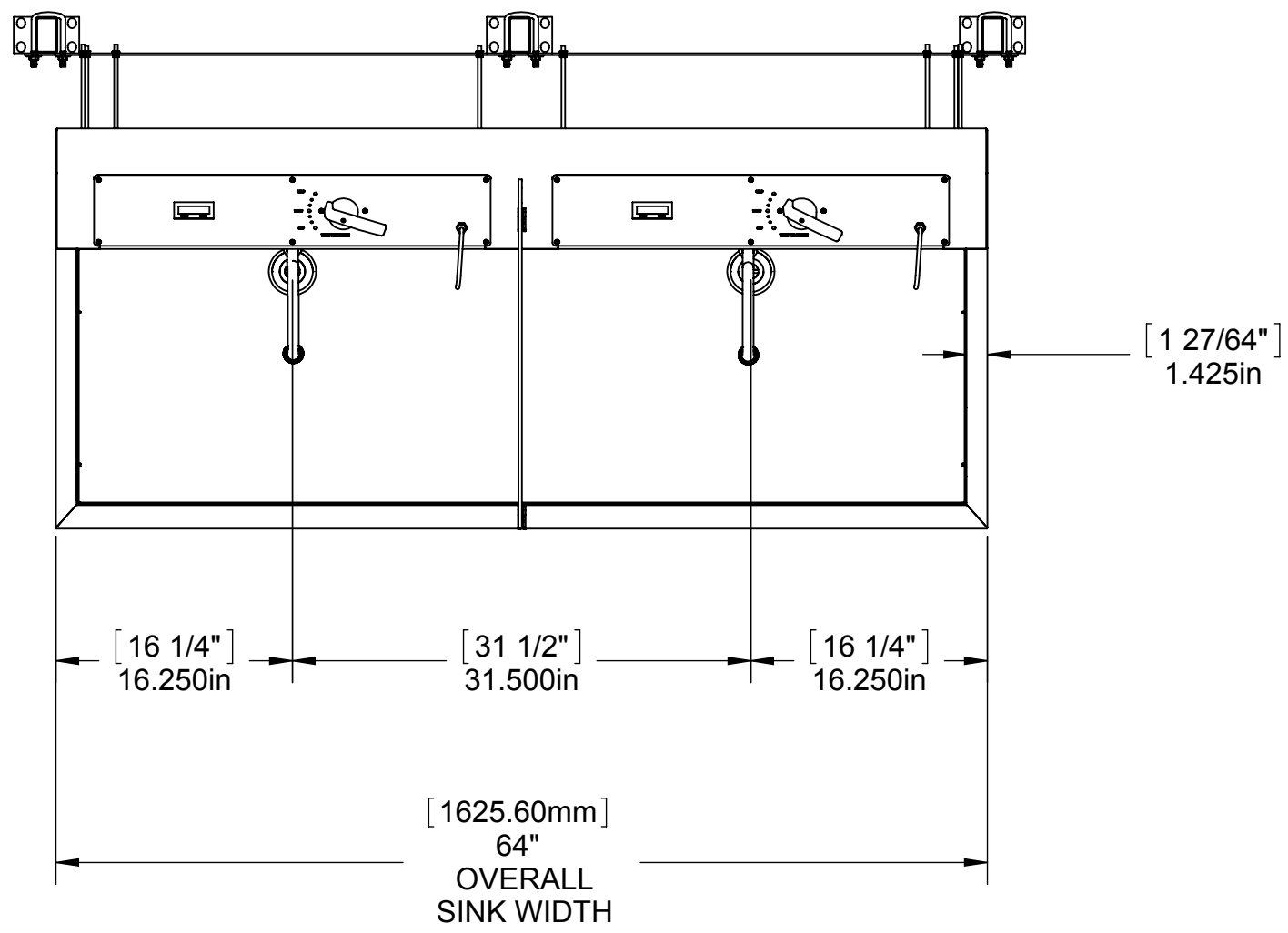


SHOWN WITH IN WALL CARRIER



CONFIDENTIAL & PROPRIETARY TO FUTURE HEALTH CONCEPT NOT TO BE COPIED OR SHOWN TO ANYONE WITHOUT THE EXPRESS PERMISSION OF FHC

ANY PHYSICAL, DIMENSIONAL OR PERFORMANCE SPECIFICATIONS SHALL NOT BE REVISED WITHOUT WRITTEN AUTHORIZATION FROM FHC

THIRD ANGLE PROJECTION INCHES

CRITICAL TO QUALITY Weight (pounds)

TITLE
DUAL SINK ASSY.

TOLERANCES UNLESS OTHERWISE SPECIFIED

ANGLES: ±1° DECIMALS .XX = ± .030
 FRACTIONS: ± 1/64 .XXX = ± .015
 .XXXX = ± .005

	DRAWN BY	DATE
	CHECKED BY	DATE
	SCALE 1:12	SHEET 3 OF 3

DRAWING NUMBER
FHCSS64-TM

AA	RELEASED FOR CUSTOMER APPROVAL	L. ADKISSON	2-7-13
REVISIONS			